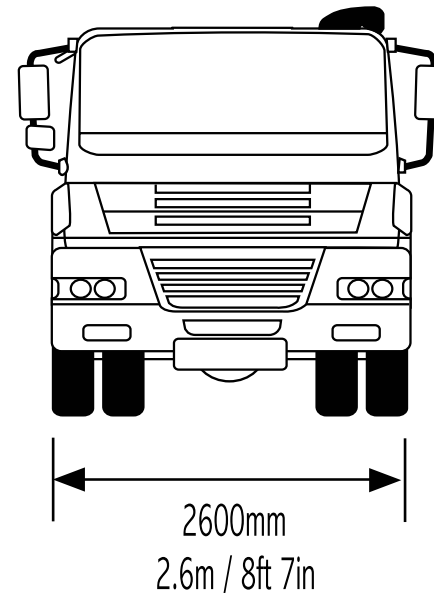
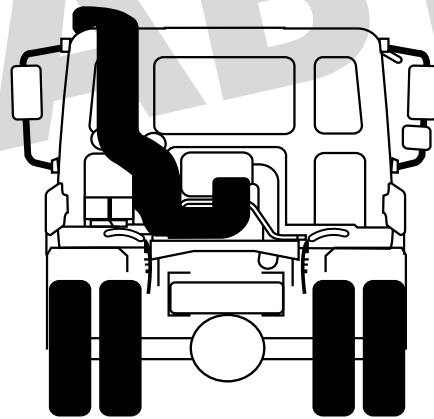
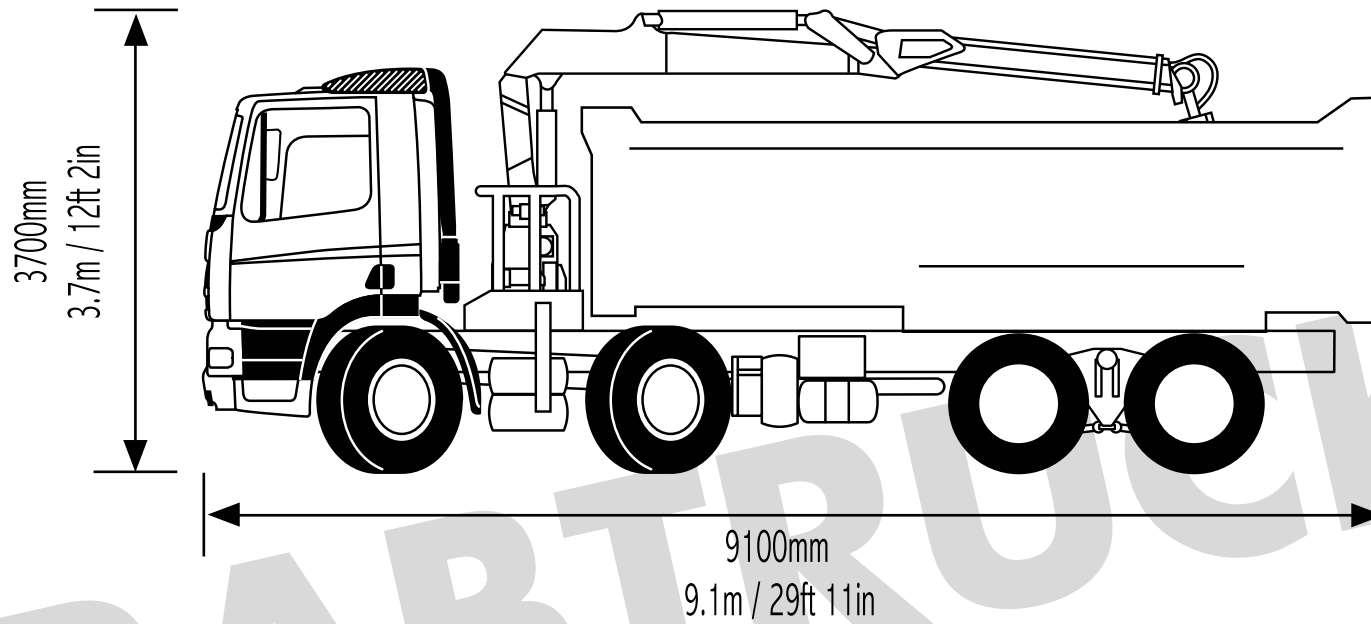
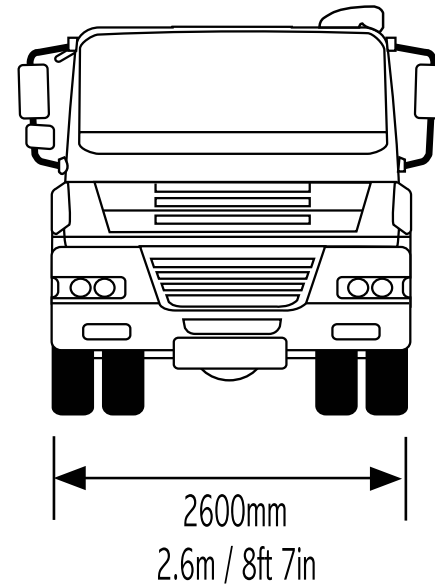
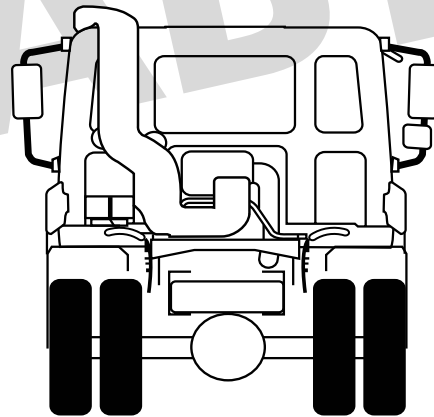
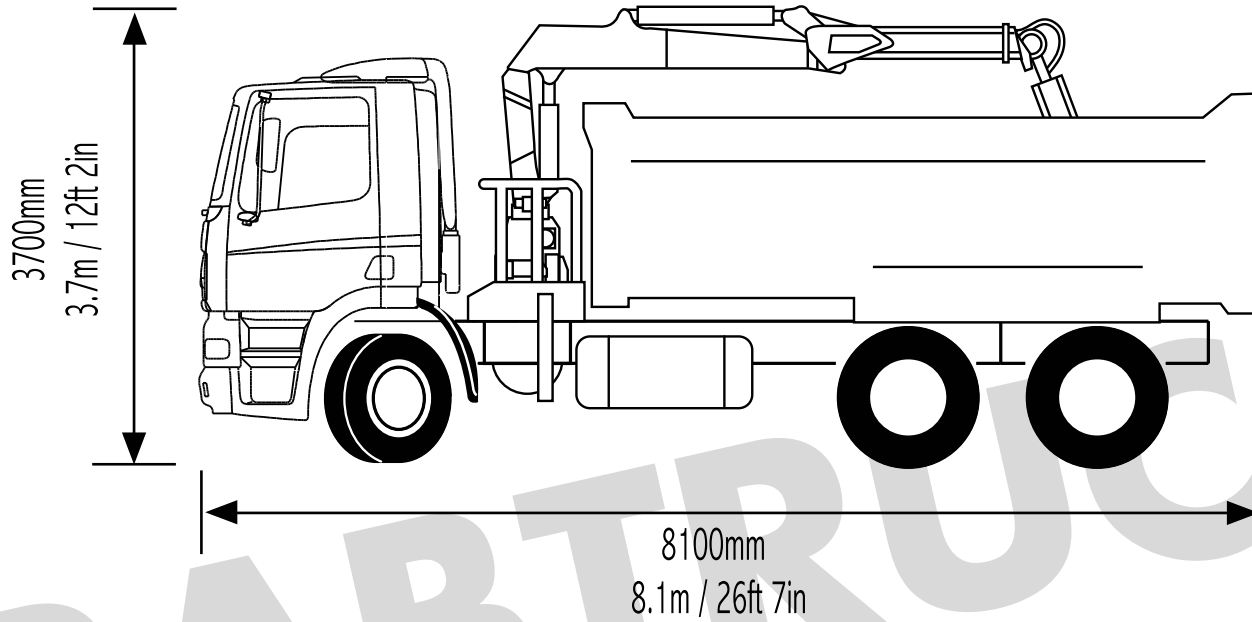


# 8 Wheel Grab Truck

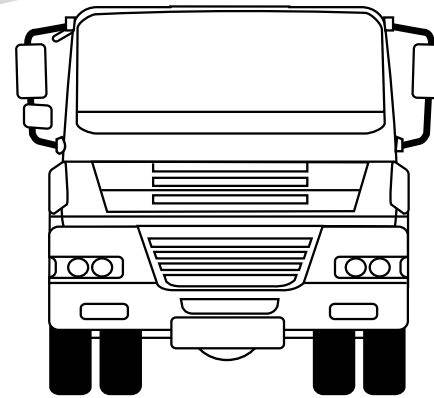
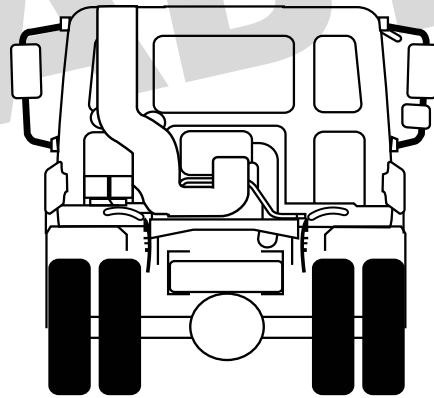
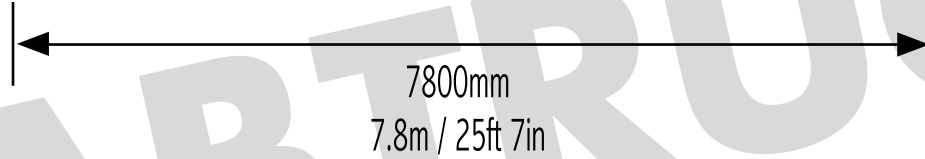
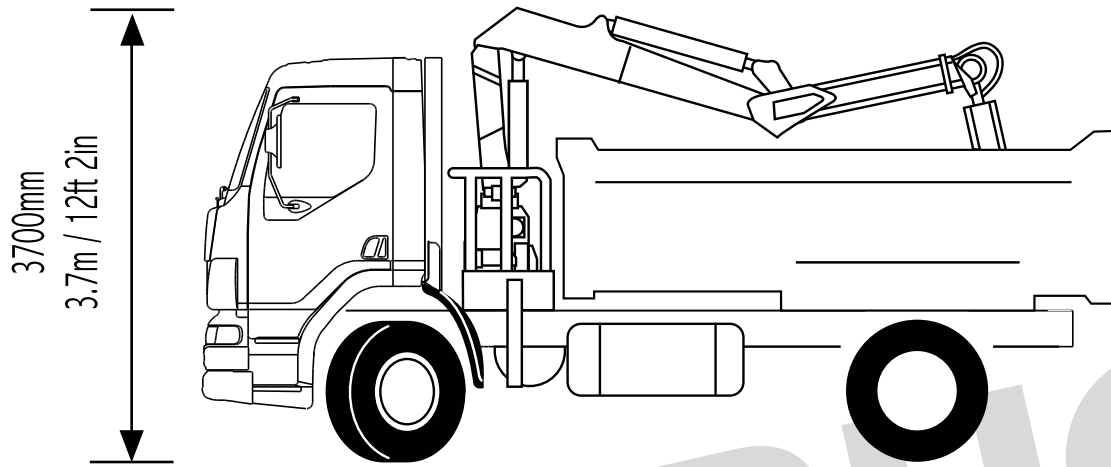


# 6 Wheel Grab Truck



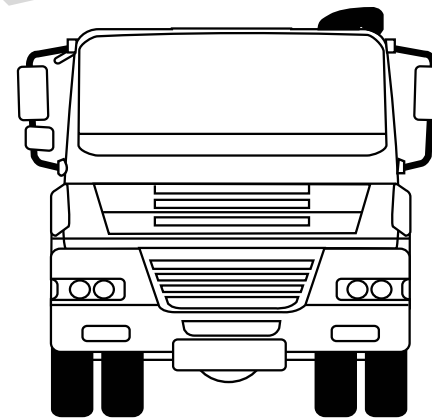
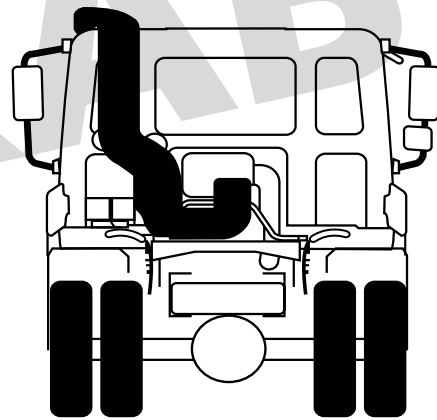
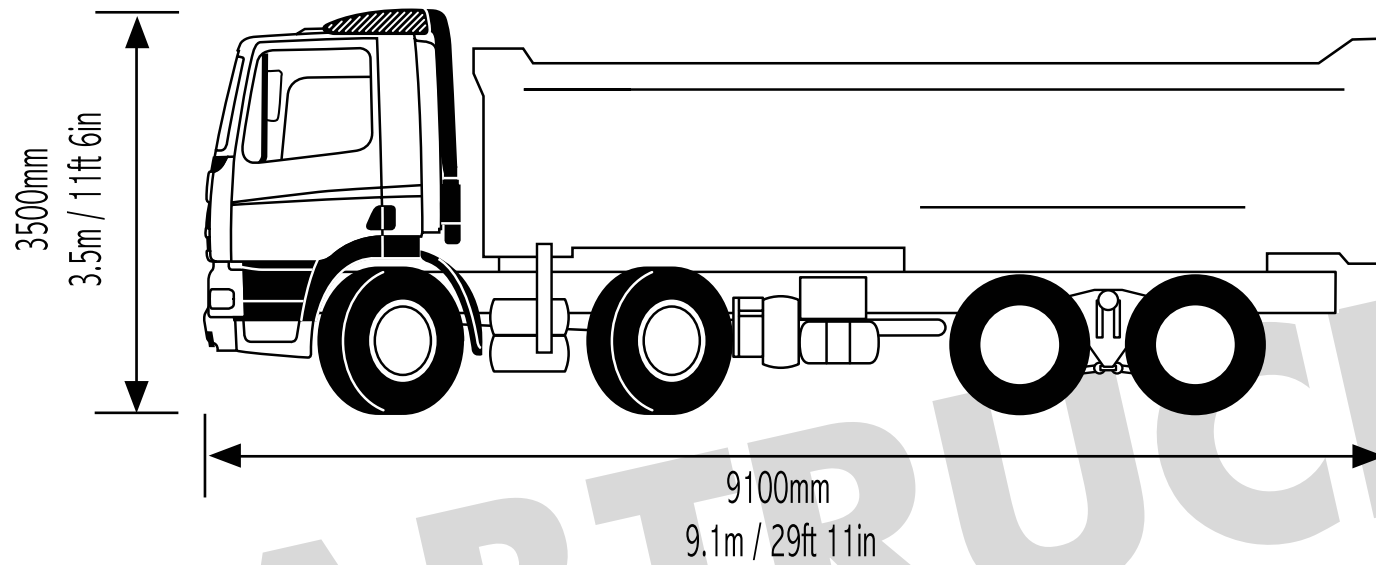
GRABTRUCKS.COM

# 4 Wheel Grab Truck

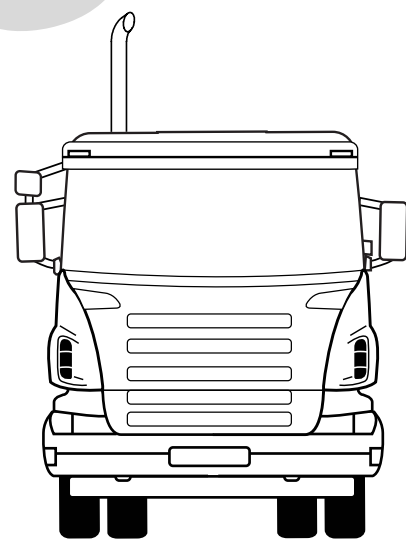
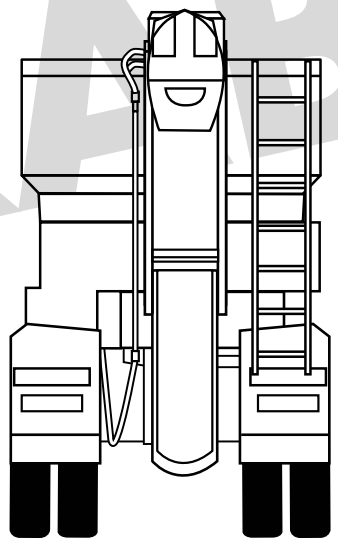
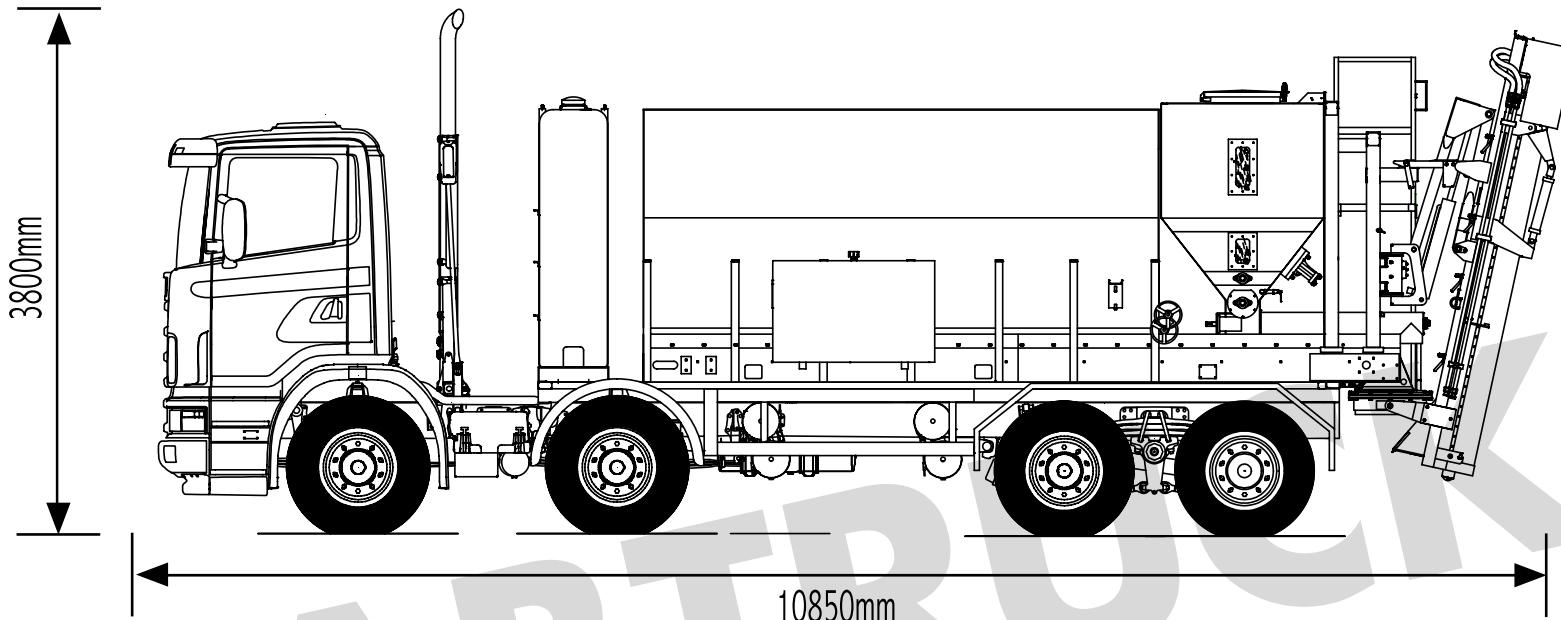


GRABTRUCKS.COM

# Tipper Truck

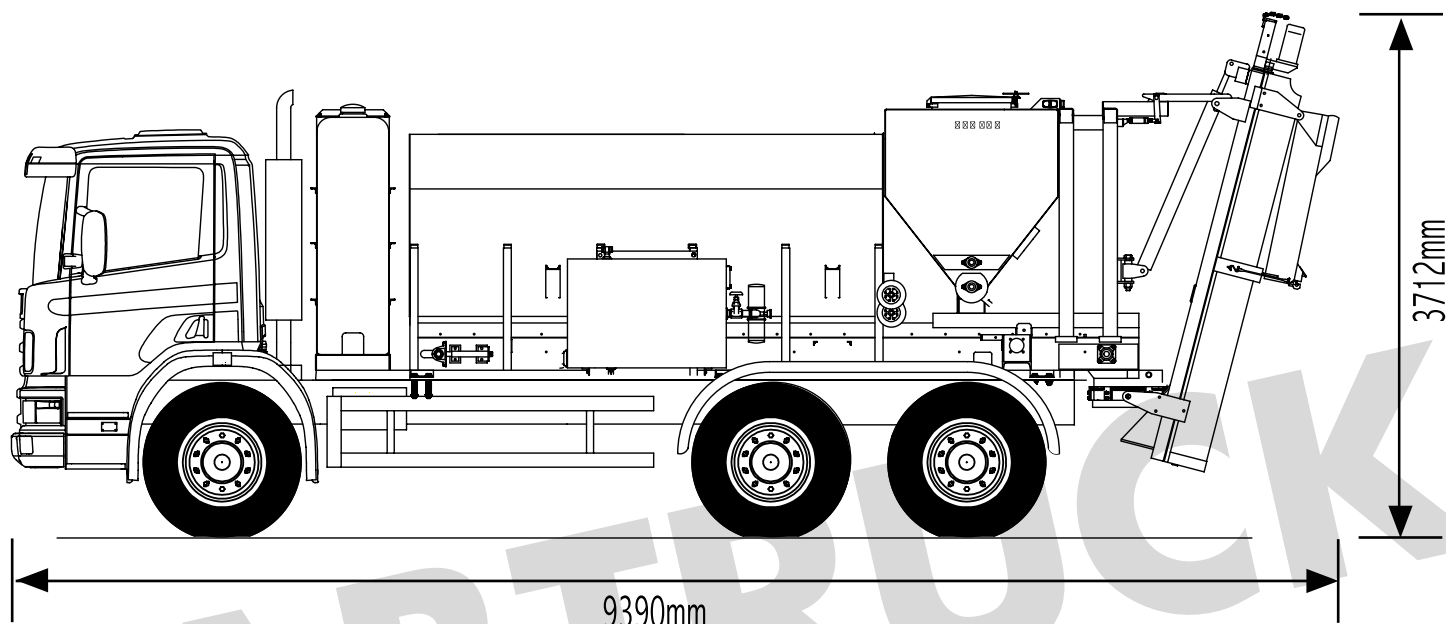


# 8 Wheel Ready Mix Concrete Truck



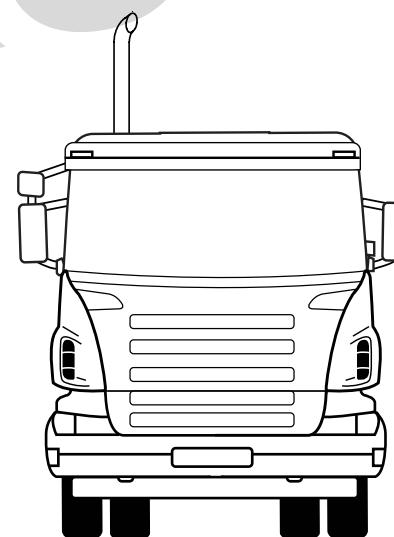
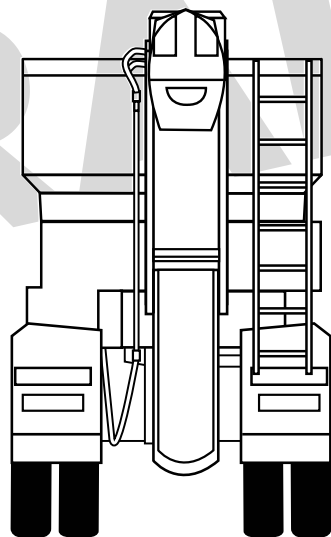
GRABTRUCKS.COM

# 6 Wheel Ready Mix Concrete Truck



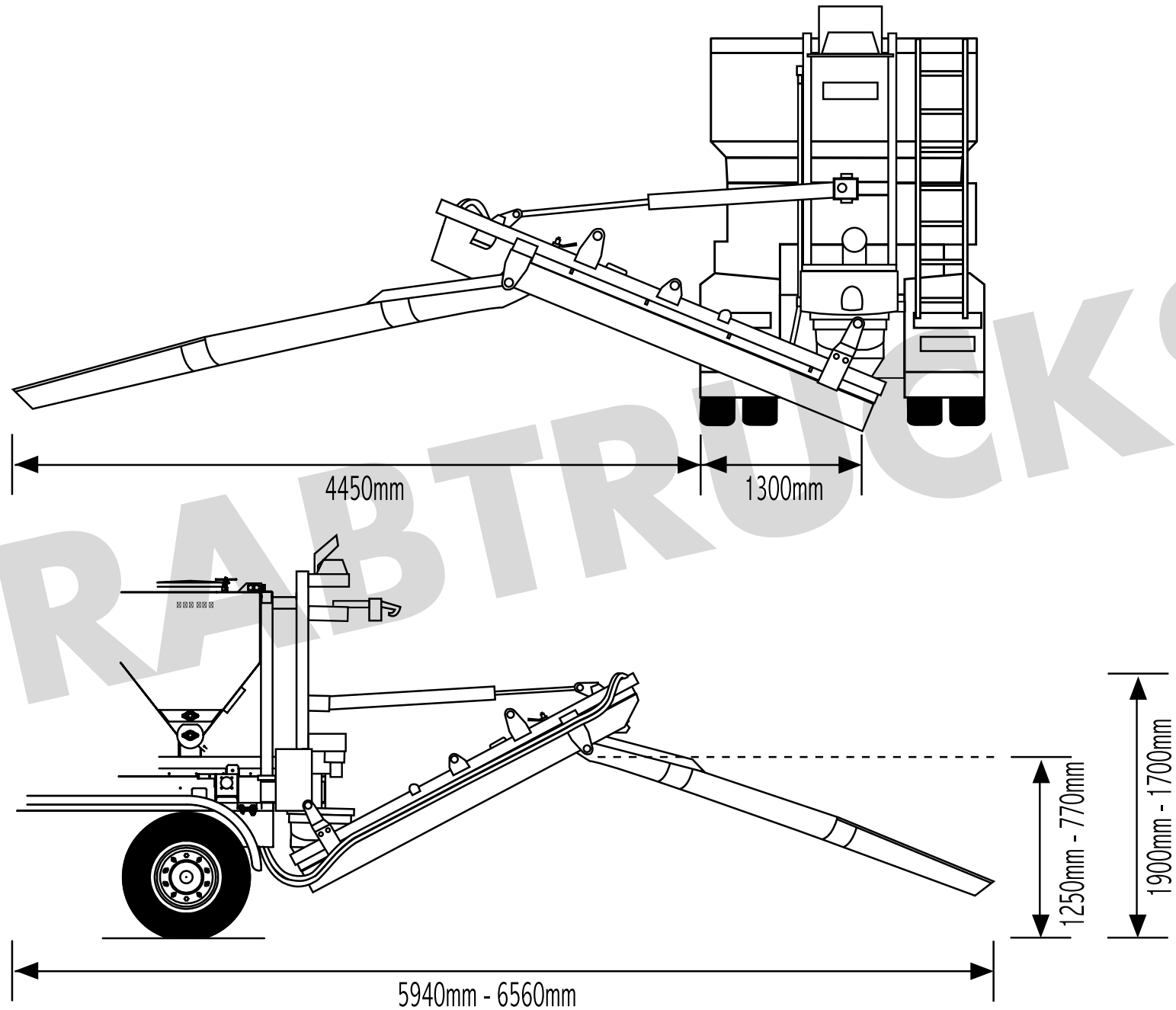
9390mm

3712mm

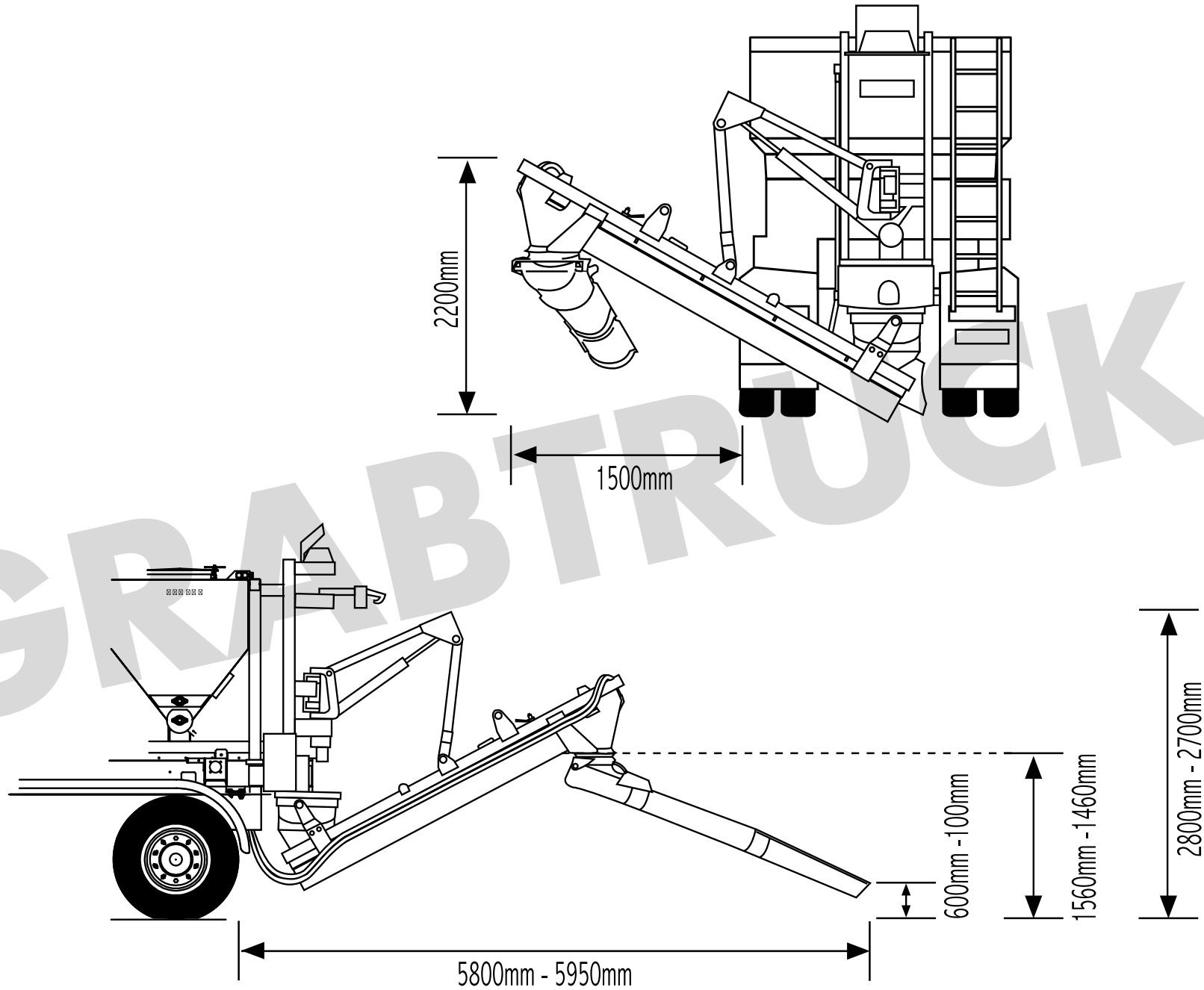


3150mm

# Rigid Swivel Chute

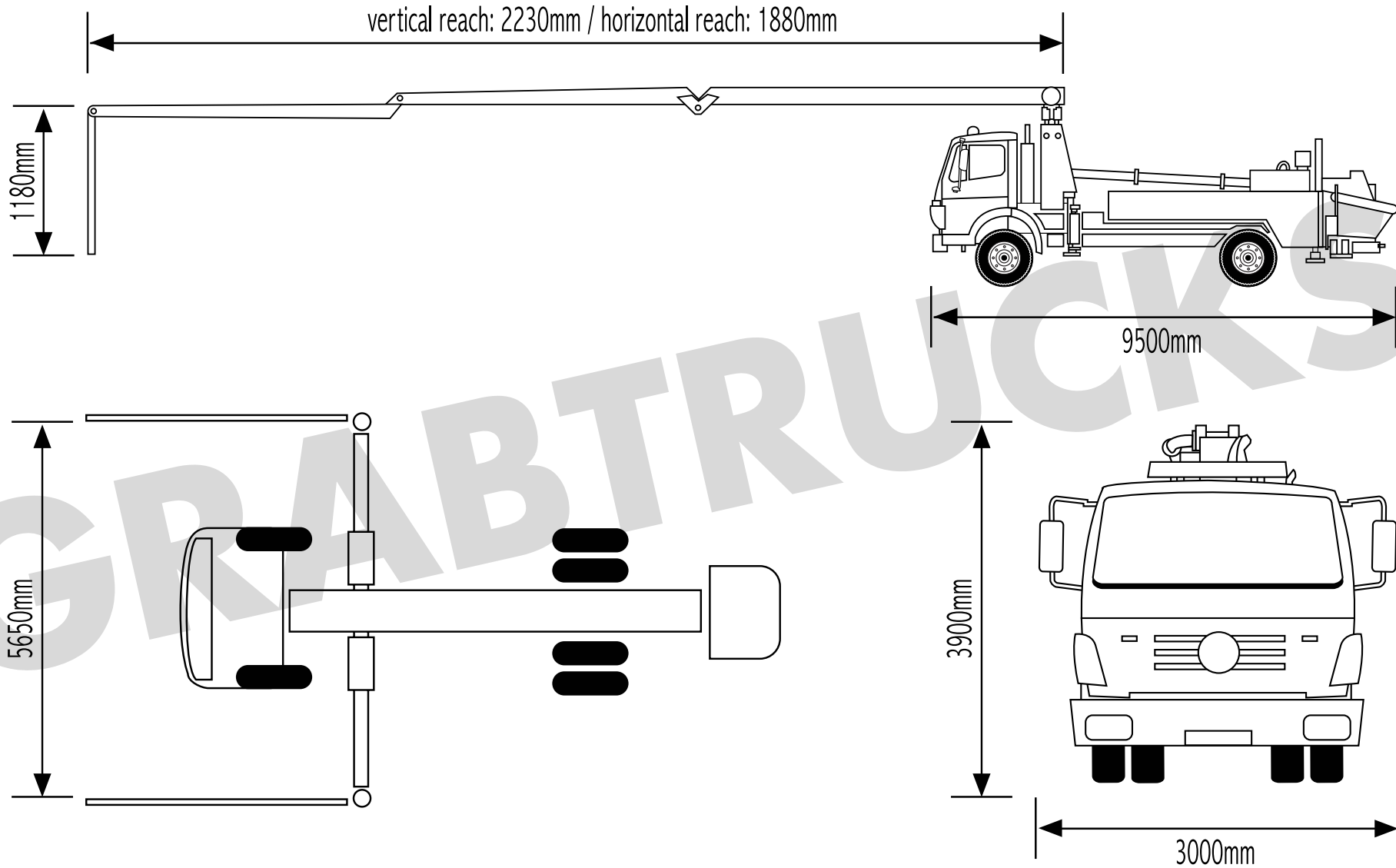


# Rotating Swivel Chute



GRABTRUCKS.COM

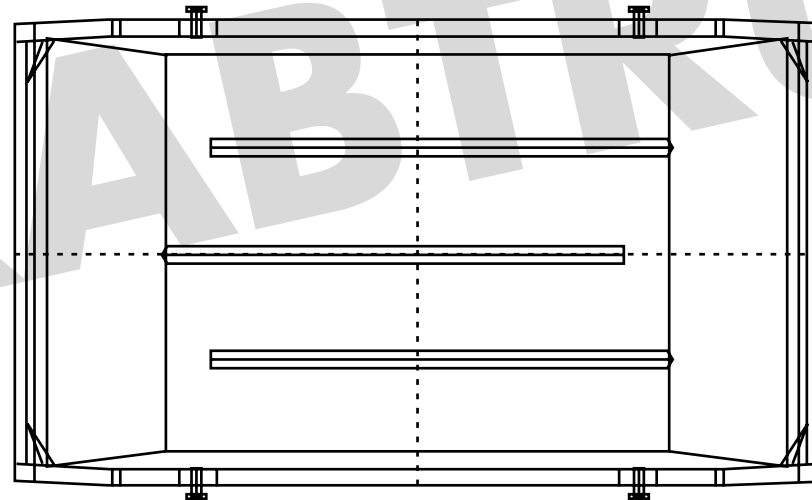
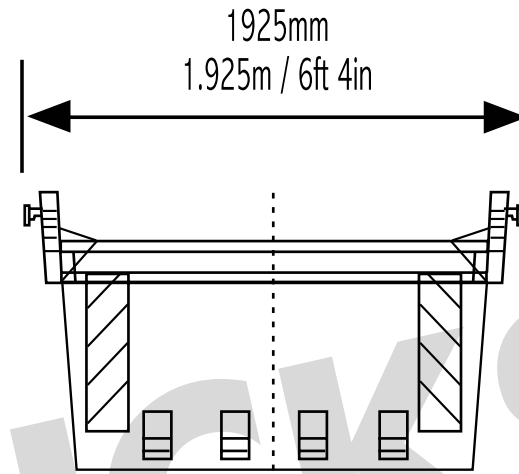
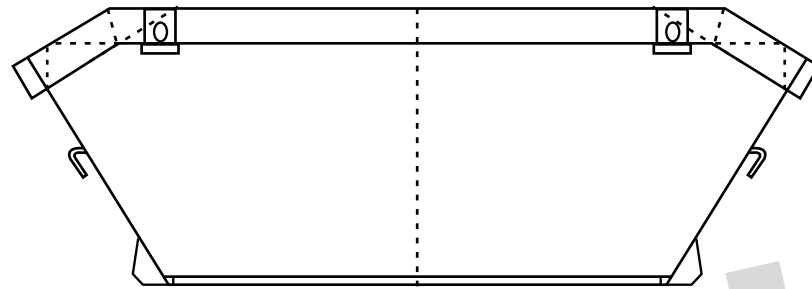
# Concrete Pump Truck



# 6 Yard Skip



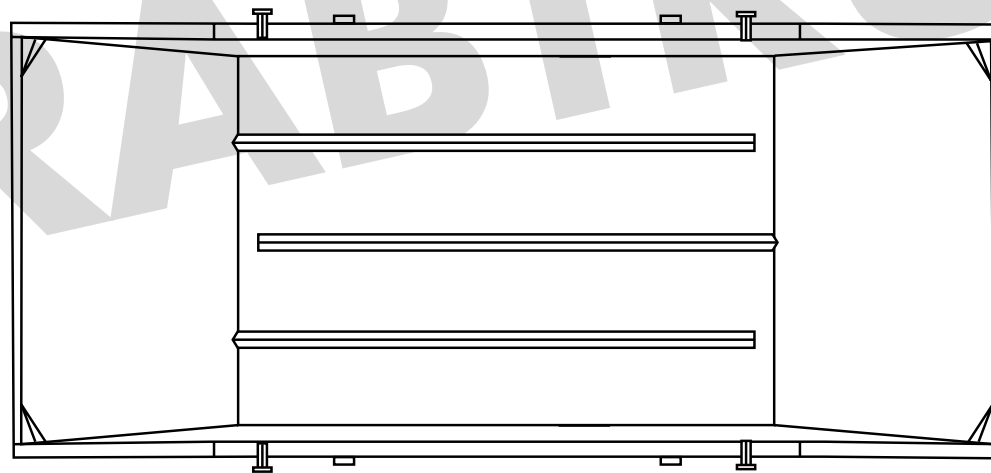
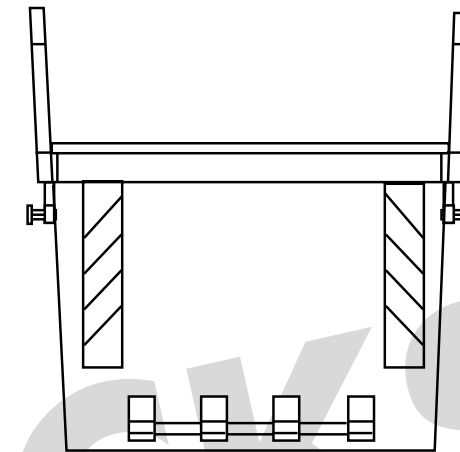
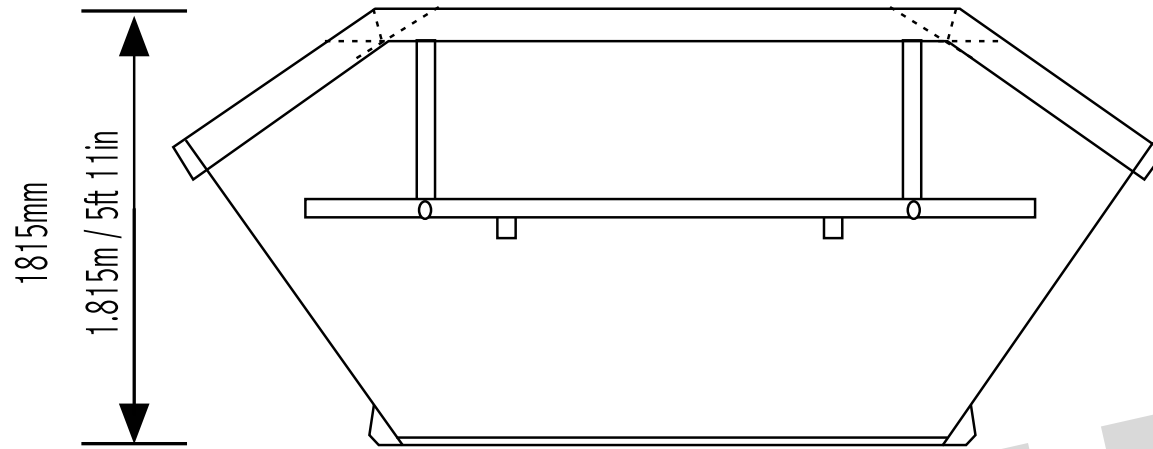
1074mm  
1.074m / 3ft 6in



3132mm  
3.132m / 10ft 3in

GRABTRUCKS.COM

# 12 Yard Skip



GRABTRUCKS.COM